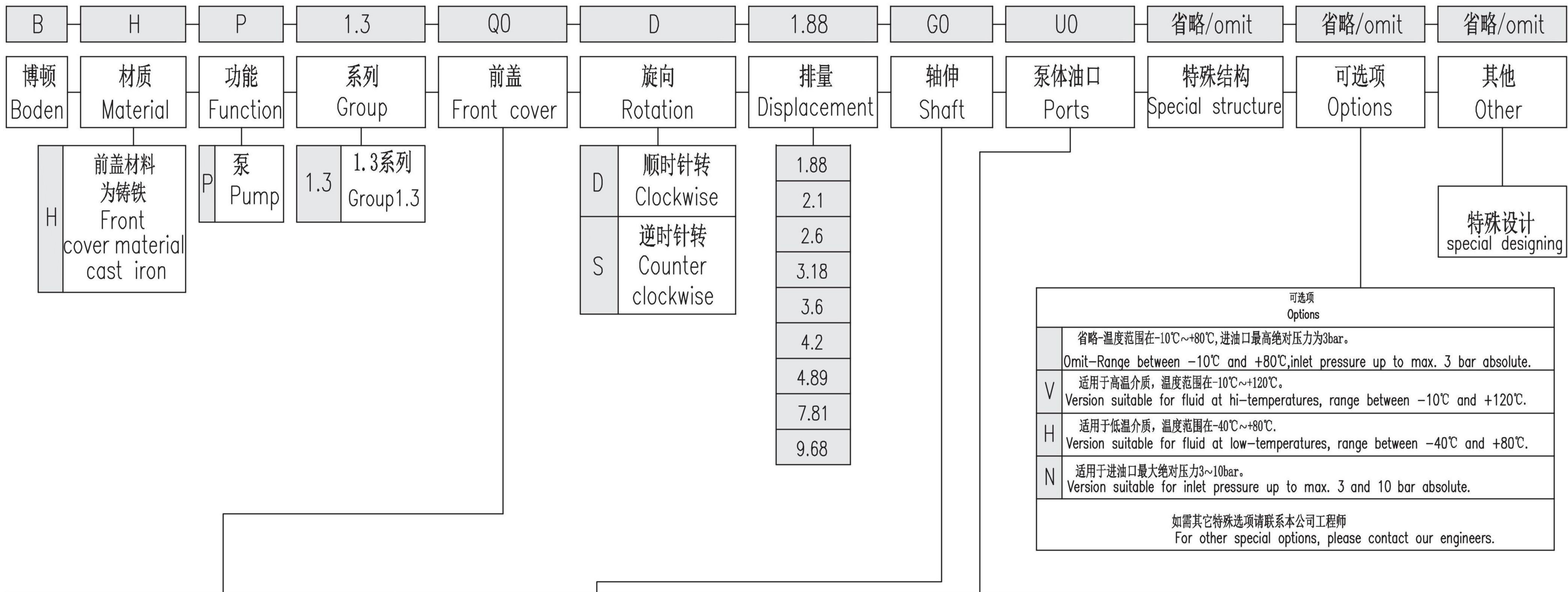
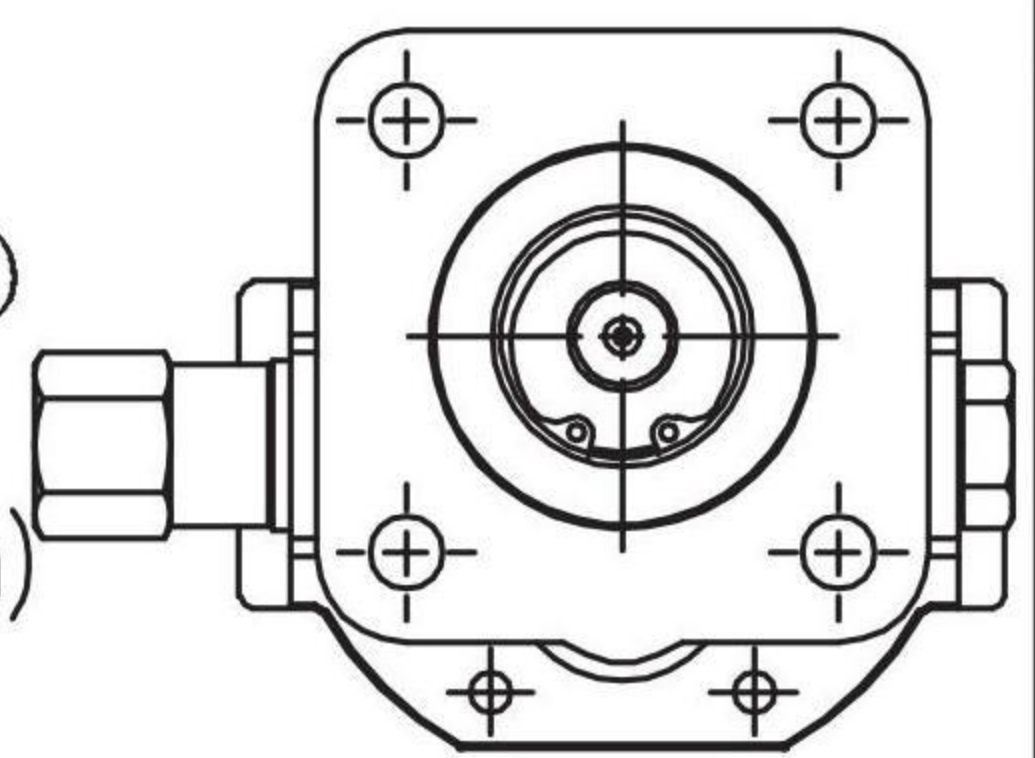
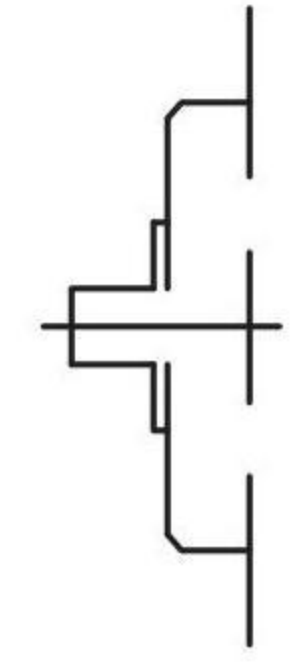
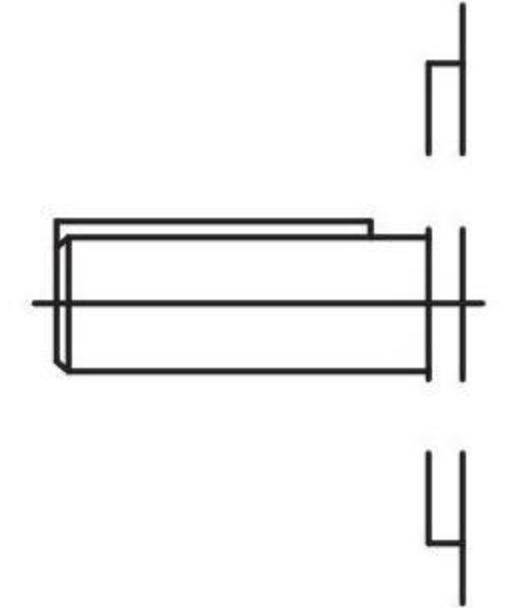


# 1.3系列选型规则/Group 1.3 Ordering Code Rules



前盖 Front cover	轴伸 Shaft	泵体油口 Ports
<p>Q0 方形前盖 (止口 <math>\phi 45.24</math>) Square front cover (centering <math>\phi 45.24\text{mm}</math>)</p> 	<p>G0 扁平轴 Tang shaft</p>  <p>C0 平键轴 Straight keyed</p> 	<p>U 美制管螺纹 (UNF-2B) UNF thread</p> 